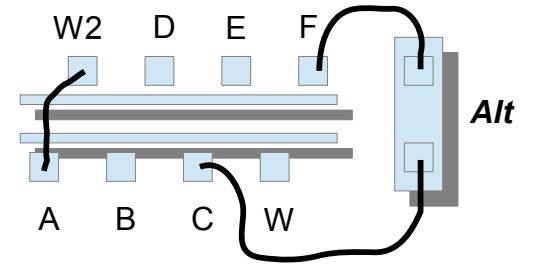
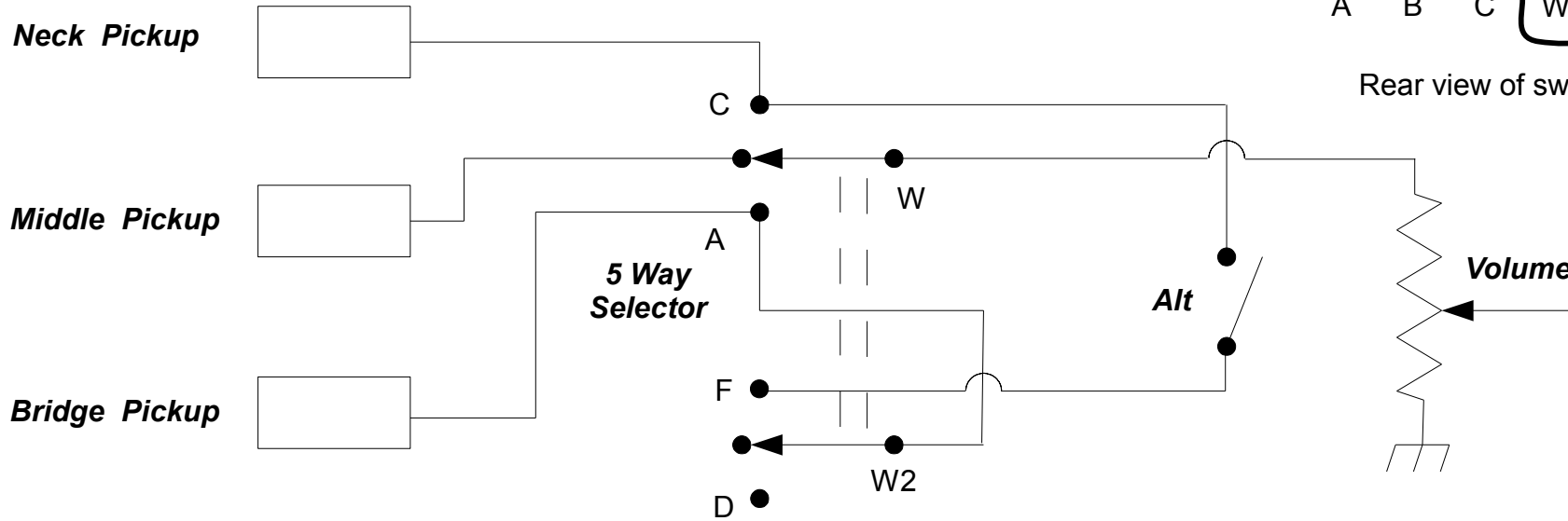


3 pickups with a 5-way selector - 2014 Ken Willmott

All 7 possible combinations of 3 pickups can be selected with a standard double pole make before break 5-way selector switch. An "alt" switch selects the extra 2 combinations when it is on.



Rear view of switch, jumper wiring



Normal Switch Position:

	1	2	3	4	5
Neck				<input type="checkbox"/> ON	<input type="checkbox"/> ON
Middle		<input type="checkbox"/> ON	<input type="checkbox"/> ON	<input type="checkbox"/> ON	
Bridge	<input type="checkbox"/> ON	<input type="checkbox"/> ON			

Alternate Pickup Selection (Alt switch on):

	4	5
Neck	<input type="checkbox"/> ON	<input type="checkbox"/> ON
Middle	<input type="checkbox"/> ON	
Bridge	<input type="checkbox"/> ON	<input type="checkbox"/> ON