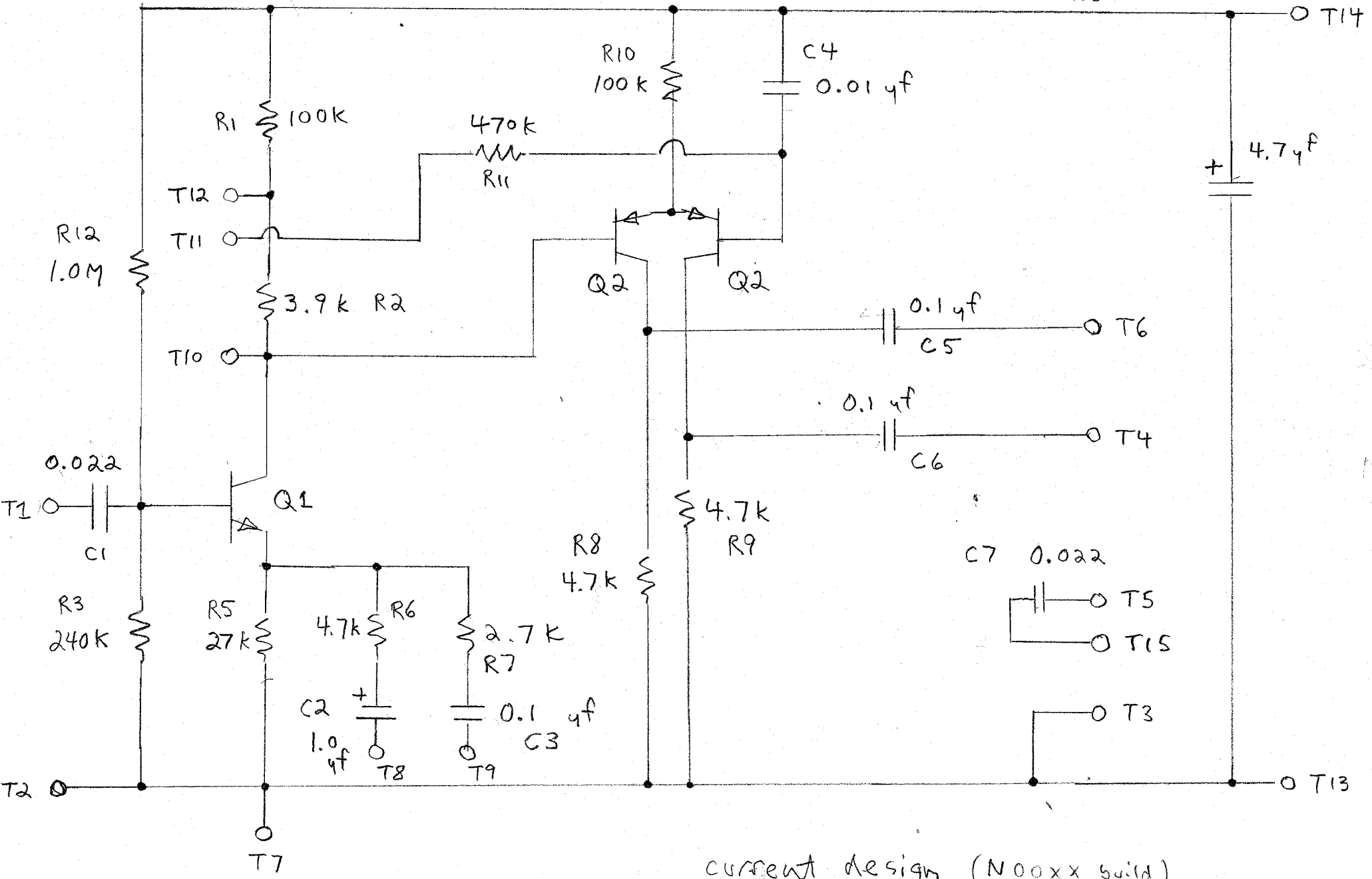


Q1 = MMBT 9014 Q2, Q3 = MMBT 9015

> 16V

9.63V



current design (NOOXX build)

